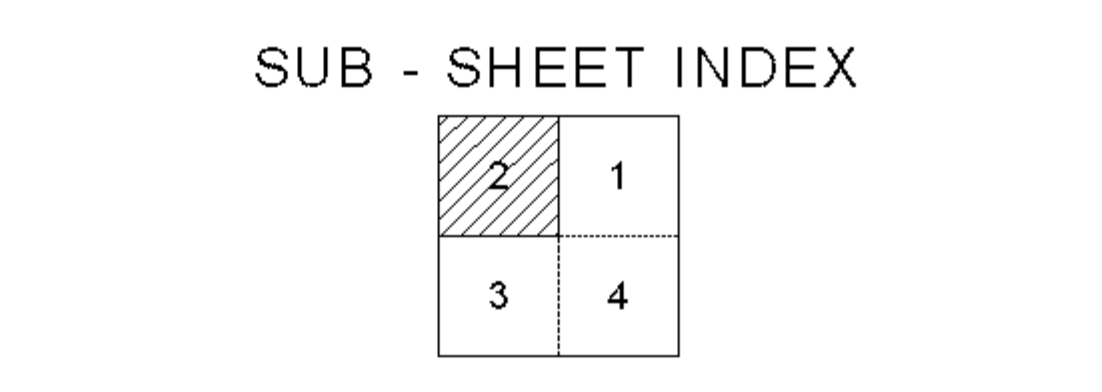
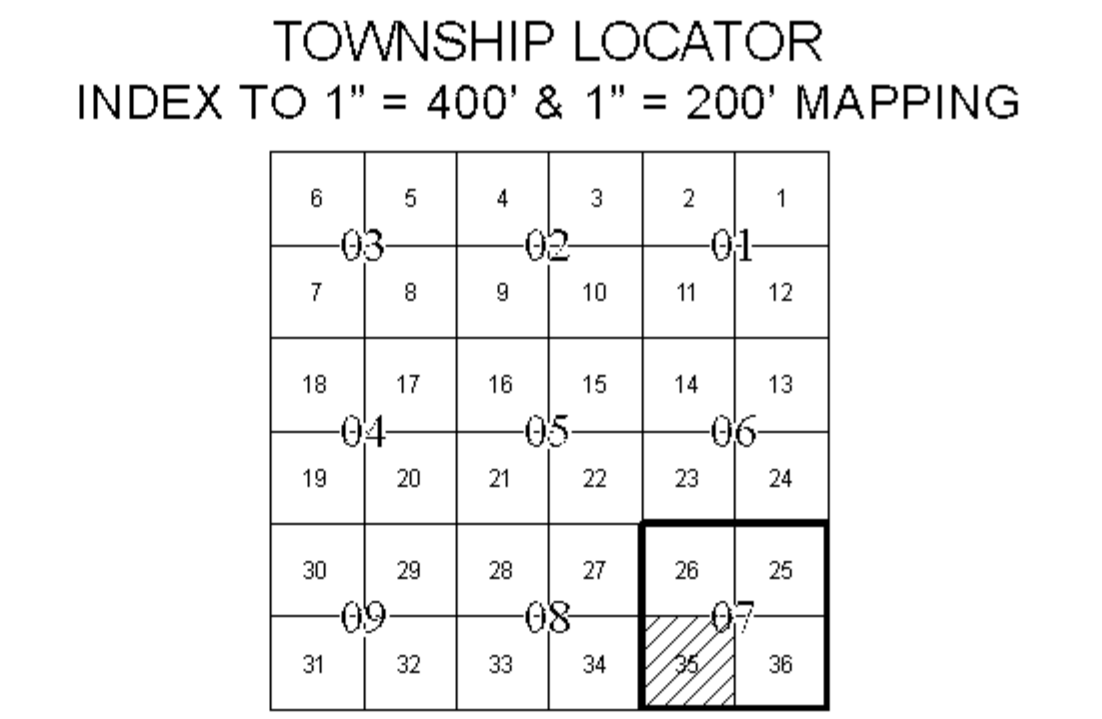
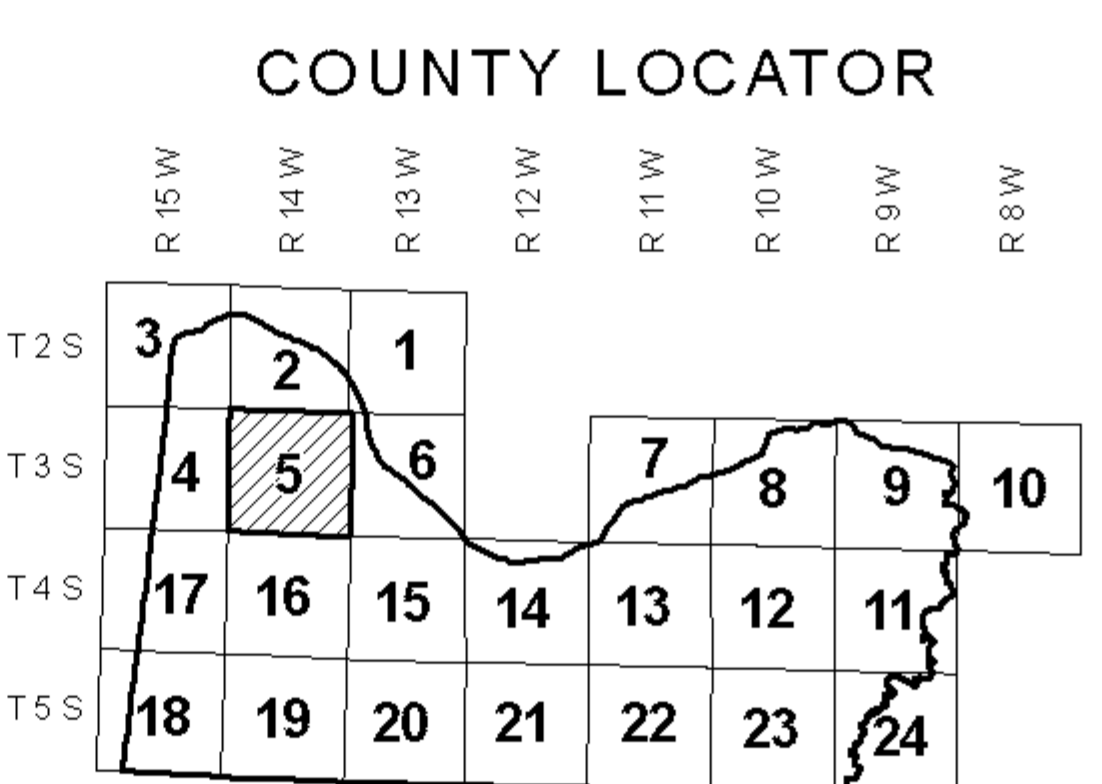
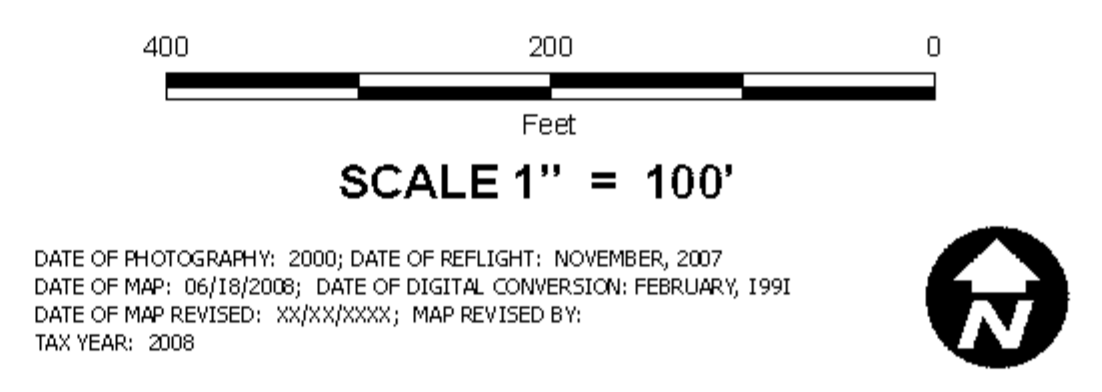




DIGITAL OWNERSHIP MAP
COUNTY OF COLBERT
 PREPARED UNDER THE JOINT DIRECTION
 OF THE
STATE OF ALABAMA
DEPARTMENT OF REVENUE
 AD VALOREM TAX DIVISION

Bill Thompson
 Revenue Commissioner



LEGEND

COUNTY LINE	AREA (FROM DEED)	10.5 Ac.
CITY LIMIT LINE	AREA (CALCULATED)	10.5 AC(C)
EASEMENT LINE	DIMENSION (FROM DEED)	44
TOWNSHIP LINE	DIMENSION (SCALED)	664
SECTION LINE	INTERSTATE HIGHWAY	
PROPERTY LINE	U.S. HIGHWAY	
SUBDIVISION LINE	STATE HIGHWAY	
ROAD RAY	COUNTY HIGHWAY	
ROAD TRAVEL PATH	COUNTY HIGHWAY 911 NUMBERING	
PRIVATE ROAD OR TRAIL	ROADS OR STREETS	BY NAME
RAILROAD RAY	PARCEL NUMBER	15 15.001
WATER	SUB LOT NUMBER	29
LAND HOOK	MAP BLOCK NUMBER	
ORIGINAL SUB LOT LINE	MAP BLOCK LIMIT	
MAJOR TRANSMISSION LINES (POWER)	MAP BLOCK TICK	
MAJOR TRANSMISSION LINES (GAS OR OIL)	SUB. BLOCK NUMBER	
CONFLICT	SECTION CORNERS	2 1 11 12
CHURCHES, SCHOOLS, CEMETERY, CAMP GRTS, ETC.	STATE PLANE COORDINATES	
TVA MARKER SYMBOLS		

REVISIONS

DATE	BY	CHANGES OR ADDITIONS

COUNTY LOCATOR **05** TOWNSHIP LOCATOR **07**
 TOWNSHIP **03** SOUTH, RANGE **14** WEST
20-05-07-35-2
 MAP NUMBER

MAPS TO BE USED FOR TAX PURPOSES ONLY - NOT TO BE USED FOR CONVEYANCE