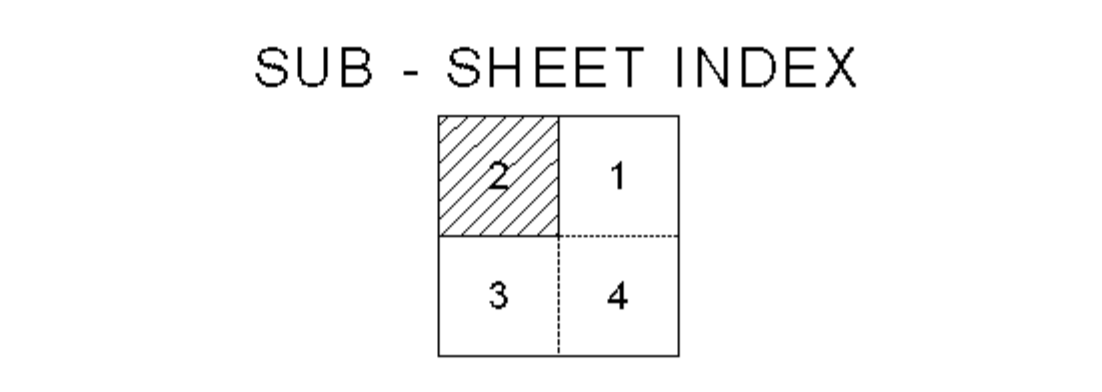
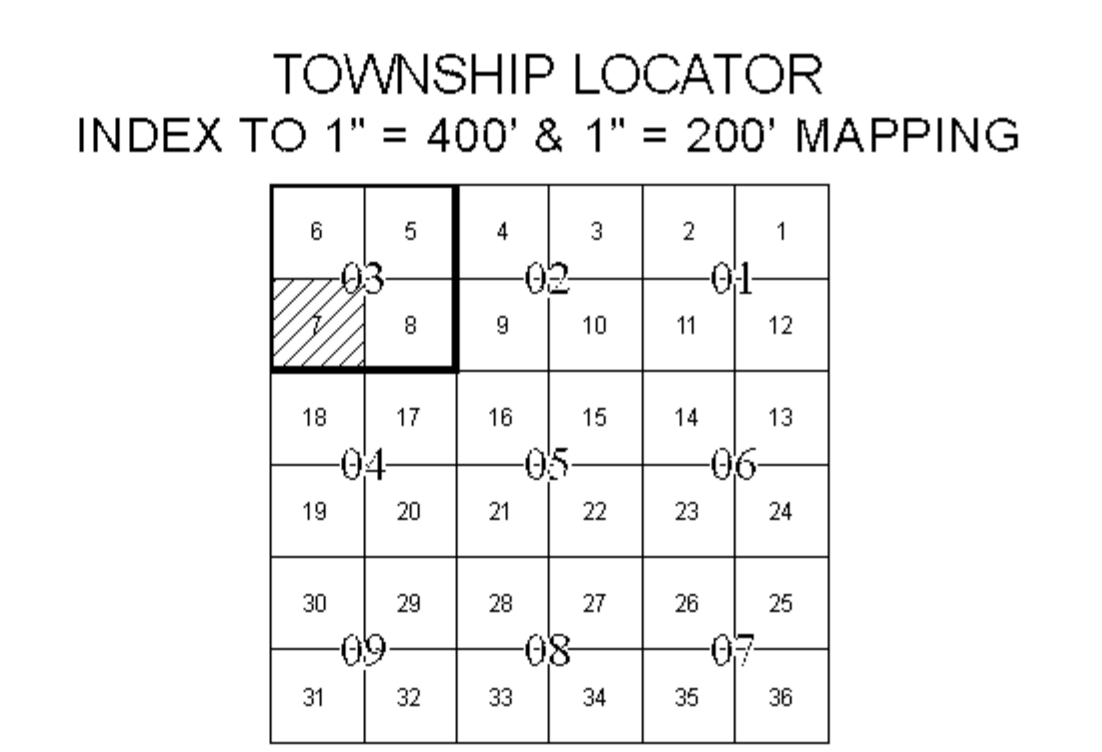
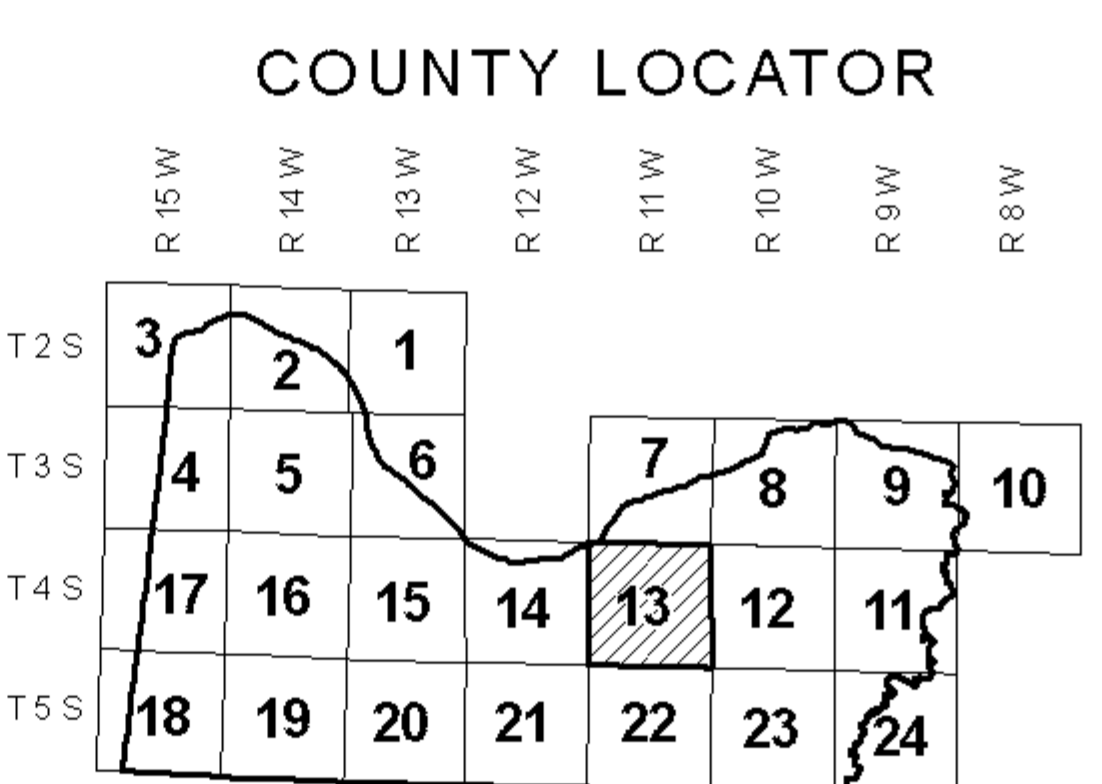
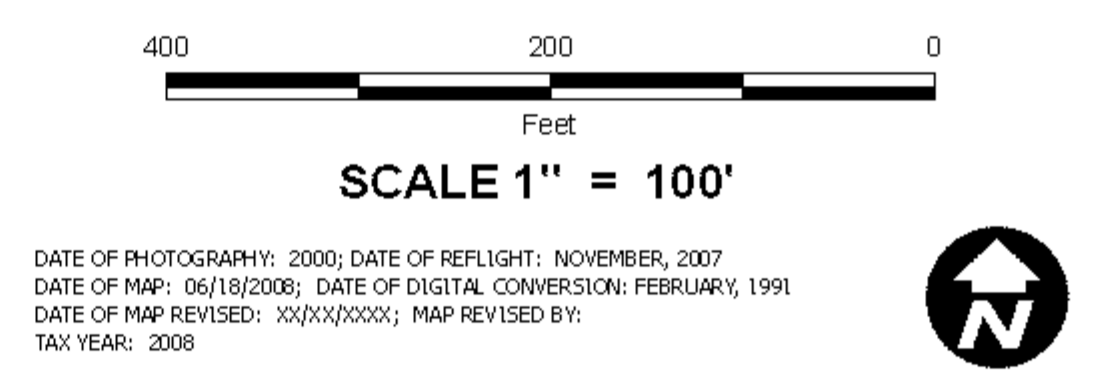


DIGITAL OWNERSHIP MAP
COUNTY OF COLBERT
 PREPARED UNDER THE JOINT DIRECTION
 OF THE
STATE OF ALABAMA
DEPARTMENT OF REVENUE
 AD VALOREM TAX DIVISION
Bill Thompson
 Revenue Commissioner



LEGEND

COUNTY LINE	AREA (FROM DEED)	10.5 Ac.
CITY LIMIT LINE	AREA (CALCULATED)	10.5 AC(C)
EASEMENT LINE	DIMENSION (FROM DEED)	44
TOWNSHIP LINE	DIMENSION (SCALED)	660
SECTION LINE	INTERSTATE HIGHWAY	
PROPERTY LINE	U.S. HIGHWAY	
SUBDIVISION LINE	STATE HIGHWAY	
ROAD R/W	COUNTY HIGHWAY	
ROAD TRAVEL PATH	COUNTY HIGHWAY 911 NUMBERING	
PRIVATE ROAD OR TRAIL	ROADS OR STREETS BY NAME	
RAILROAD R/W	PARCEL NUMBER	15 15.001
WATER	SUB LOT NUMBER	29
LAND HOOK	MAP BLOCK NUMBER	
ORIGINAL SUB LOT LINE	MAP BLOCK LIMIT	
MAJOR TRANSMISSION LINES (GAS OR OIL)	MAP BLOCK TICK	
CONFLICT	SUB. BLOCK NUMBER	
CHURCHES, SCHOOLS, CEMETERIES, AIRPORTS, ETC.	SECTION CORNERS	2 1 11 12
TVA MARKER SYMBOLS	STATE PLANE COORDINATES	1428000 2278000

REVISIONS

DATE	BY	CHANGES OR ADDITIONS

COUNTY LOCATOR **13** TOWNSHIP LOCATOR **03**
 TOWNSHIP **04** SOUTH, RANGE **11** WEST
20-13-03-07-2
 MAP NUMBER
 MAPS TO BE USED FOR TAX PURPOSES ONLY - NOT TO BE USED FOR CONVEYANCE